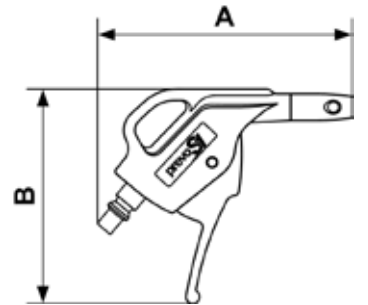


PREVOS1 BLOW GUNS ON CLIP - ARO 210 PROFILE



PREVOS1 blow gun with OSHA
nozzle
Profile : ARO 210



Force of blow-molding 260 (G)	Flow rate at 6 bar 1 (BAR)	ID passage (mm) 6 mm
---	--------------------------------------	--------------------------------

Part number	Flow rate at 6 bar (l/min)	Sound level (DBA)	Length (m)	ID passage (mm)	Dim. A (mm)	Dim. B (mm)
ABG 06OSHP	220	87	0.05	6 mm	115	97